



169 ORMISTON RD
 LOT 4 DP 370733
 286615
 AUCKLAND COUNCIL

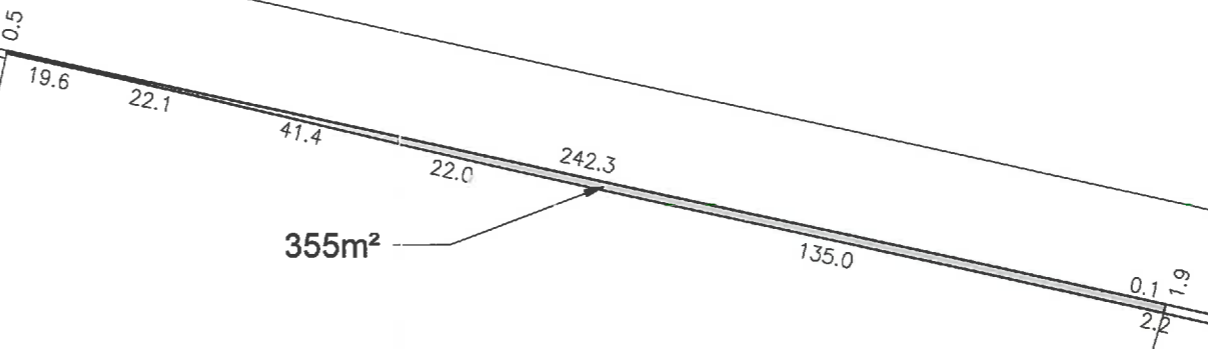
CHAPEL ROAD

7 FLAT BUSH SCHOOL RD
 LOT 1 DP 50280
 SUMMERSET VILLAGES

355m²

21 FLAT BUSH SCHOOL RD
 LOT 5 DP 50280
 NA6B/1013
 CHEN LI - YU HUANG

FLAT BUSH SCHOOL ROAD



LAND TO BE DESIGNATED FOR ROAD

SHOWN	DESCRIPTION	CFR	AREA
21 Flat Bush School Road	LOT 5 DP50280	NA 6B/1013	355 m ²

NOTES:
 1. Areas and dimensions are subject to final land transfer survey



LATEST REVISION DETAILS	NAME	DATE	CLIENT:
1. ISSUED FOR INFORMATION	VS	19/12/11	

Auckland Transport
 An Auckland Council Organisation

FLAT BUSH SCHOOL ROAD UPGRADE
 DESIGNATION PLAN
 FOR 21 FLAT BUSH SCHOOL ROAD
 AUCKLAND COUNCIL

WOODS
 Engineers, Surveyors, Planners.
 P.O. BOX 6752, WELLESLEY ST., AUCKLAND 1141
 BLDG 3, LE'EL 4, 666 GREAT SOUTH ROAD, PENROSE
 PHONE +64 9 571 2470 FAX +64 9 571 3105 WWW.WOODS.CO.NZ

DESIGNED: VS	ISSUED FOR INFORMATION
CHECKED:	DRAWN: VS
APPROVED:	SURVEYED:
JOB NUMBER: 60370	SCALE: 1:1500 @ A3
ISSUED: 19/12/11	
DWG. NO. 60370-STG2&3-SU-81	REV. 1